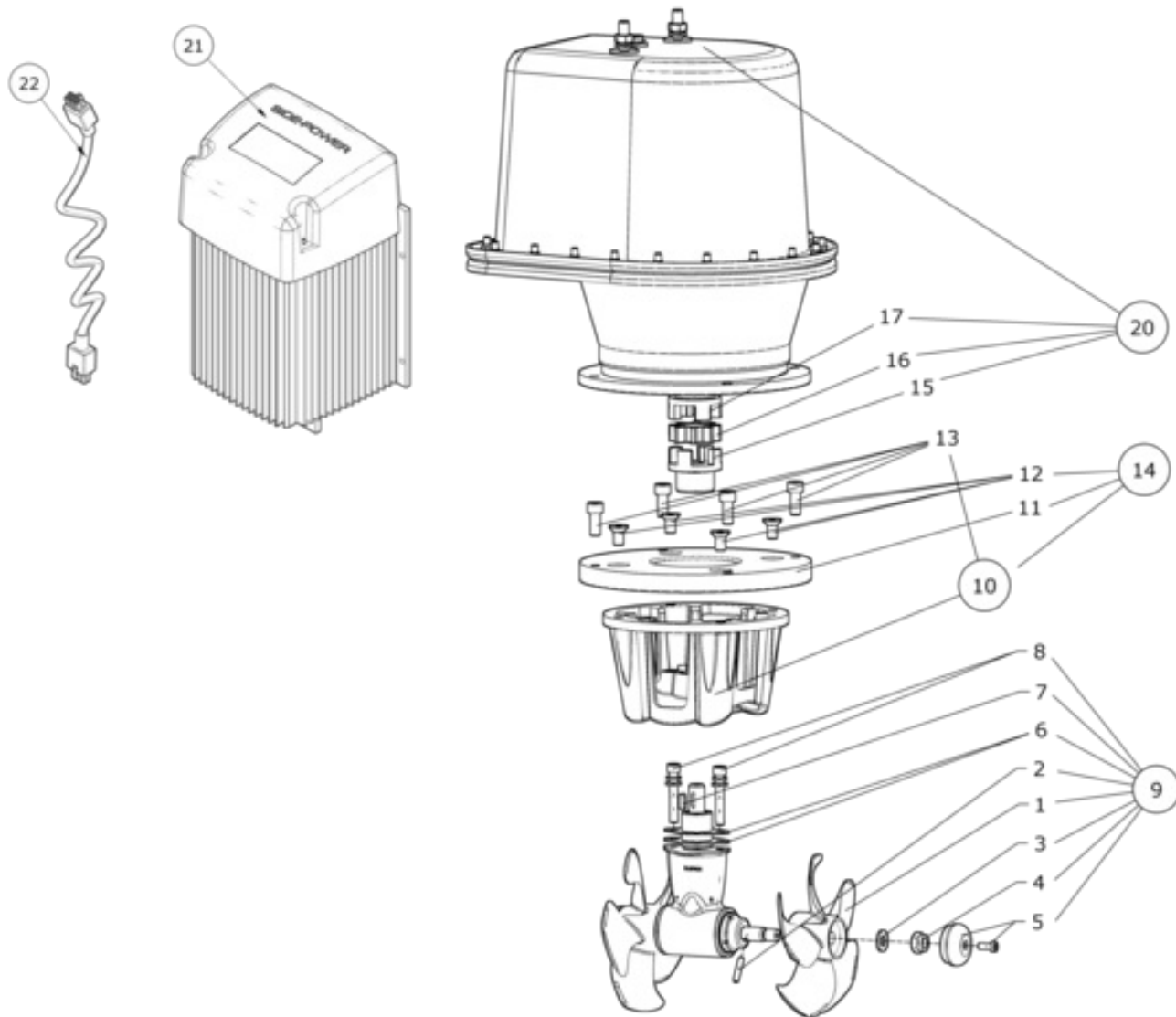


# SEP100/185T-12IP - SIDE-POWER

## SEP100 Tunnel thruster, 12V-IP

Spare parts (valid from 2017-05-31)



#	Description	Product
1	Propeller	7 1261 - Prop ø185/5bl Q-Prop Composite
2	Propeller drivepin	6 1241 - Drivepin for propeller 5mm
3	Propeller washer	7 1181 - Propeller washer
4	Locknut	4 1260 - Locknut
5	Anode	7 1190 A - Alu anode SE60/80/100
6	Gasket	8 0610 - Gasket betw. tun/brak. SP75/95
7	Driveshaft key	6 1440 - Key for flex coupl 7HP/SP75/95
8	Gearleg bolt	7 1080 - Gearleg bolt SP75/95
9	Complete gearleg	8 0601 - Gearleg compl SE80/100
10	Motor bracket	8 0501 - Motor bracket compl SE80/100
11	Adapter flange	921302 - Adapterflens SE100-IP,250x12,5
12	Bolt, flange to bracket	11031 - Skrue M10 x 25 Unbraco senk
13	Bolt, motor to flange	10 1360 - Skrue M10 x 25 Unbraco
14	Complete motor bracket	N/A
15	Coupling, gearleg unit	7 1457 - Fleks kobling 20mm
16	Rubber element	7 1458 - Plastic element f/flex coupl.
17	Coupling, motor unit	7 1456 - Fleks kobling 16mm
18	Complete flexible coupling	N/A
19	Key for electric motor shaft	10 1440 - Key for drive shaft SP95/125++
20	Complete electric motor assembly	8 0109 12 - Electric motor SEP100 12V-IP
21	PPC	PPC820-IP - Proportional Power Contr.-IP
22	PPC control cable	6 1280-05M - Kabel thruster Kontroll 5m

The installer alone has responsibility for the installation of the spare parts. Side-Power only warranty the spare parts supplied only.

The information given in the document was correct at the time it was published. However, Sleipner Motor AS can not accept liability for any inaccuracies or omissions it may contain. Continuous product improvement may change the product specifications without notice. Therefore, Sleipner Motor AS can not accept liability for any possible differences between product and document.